

ETM[®]

Elegant Technology Master

www.etm-co.com



○○○○
ELEGANT TECHNOLOGY MASTER

Your Electronic Hardware Solutions



Our name says it all, simply
the widest selection of
quality products.
We are specialize in cosmetic
products and precision
electronic hardware.

Your Electronic Hardware Solutions

ELEGANT TECHNOLOGY MASTER

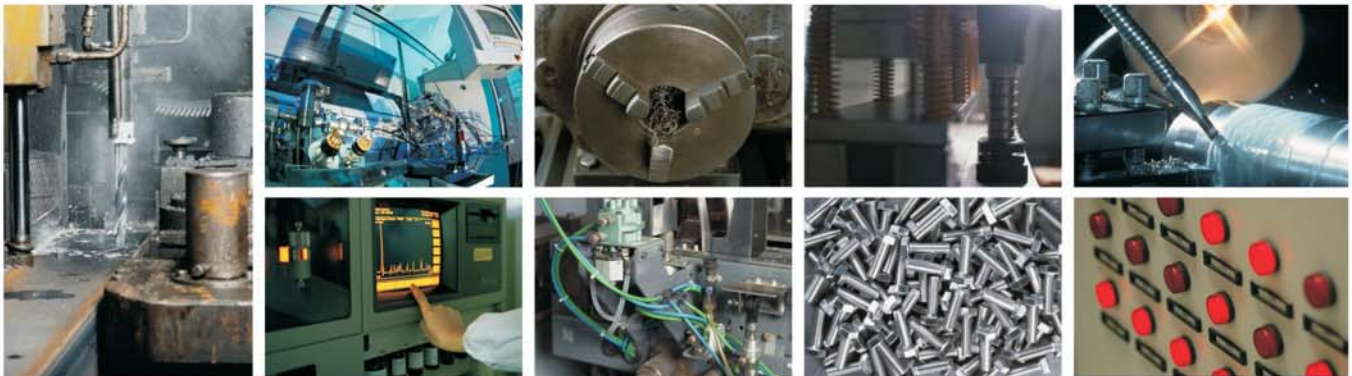


Our products meet most standard requirements. Modifications as well as custom fabrications can be manufactured to meet your special needs.

ETM has diverse manufacturing base that is available for you for specific, non standard designs.

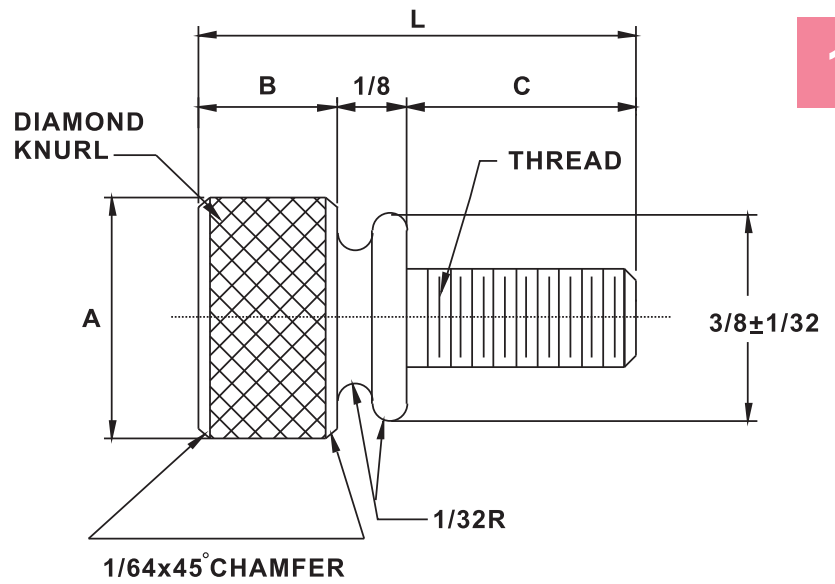
Design and engineering, precision tool and die capabilities, close tolerance Stamping, Machining, and Assembly, computer based quality control and responsive customer service are all vital in-house resources which constitute our custom manufacturing division's capabilities.

It is ETM's quality policy to continuously improve its products to better satisfy the needs of its customers and to deliver quality products, every time and on time. Our service team is your assurance of quick response, service and dependability, worldwide.



WASHER FACE THUMB SCREW

American Standard



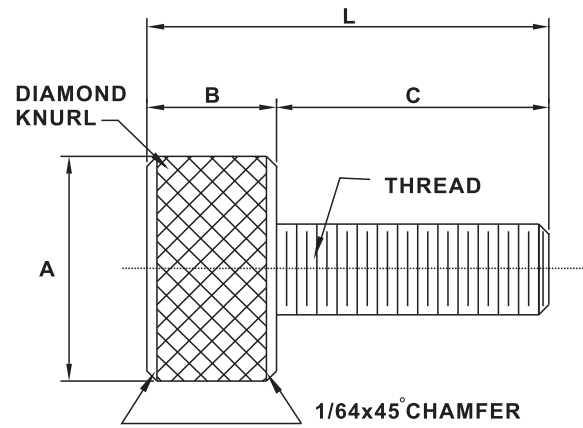
Part No.	Thread Size	A	B	C	L
		+ .020 - .000	+ .015 - .015	+ .010 - .010	+ .015 - .015
WFTS-44001	4-40	3/8	3/16	5/16	5/8
WFTS-44002	4-40	3/8	3/16	3/8	11/16
WFTS-44003	4-40	3/8	3/16	7/16	3/4
WFTS-63201	6-32	3/8	3/16	3/8	11/16
WFTS-63202	6-32	3/8	3/16	7/16	3/4
WFTS-63203	6-32	3/8	3/16	1/2	13/16
WFTS-83201	8-32	7/16	3/16	3/8	11/16
WFTS-83202	8-32	7/16	3/16	1/2	13/16
WFTS-83203	8-32	7/16	3/16	5/8	15/16
WFTS-103201	10-32	7/16	3/16	3/8	11/16
WFTS-103202	10-32	7/16	3/16	1/2	13/16
WFTS-103203	10-32	7/16	3/16	5/8	15/16
WFTS-142001	1/4-20	1/2	1/4	3/8	3/4
WFTS-142002	1/4-20	1/2	1/4	1/2	7/8
WFTS-142003	1/4-20	1/2	1/4	5/8	1
WFTS-142004	1/4-20	1/2	1/4	3/4	1 1/8

Custom modified products are available.

TEL:886.4.7369788 FAX:886.4.22569335 <http://www.etm-co.com>

PLAIN THUMB SCREWS

American Standard



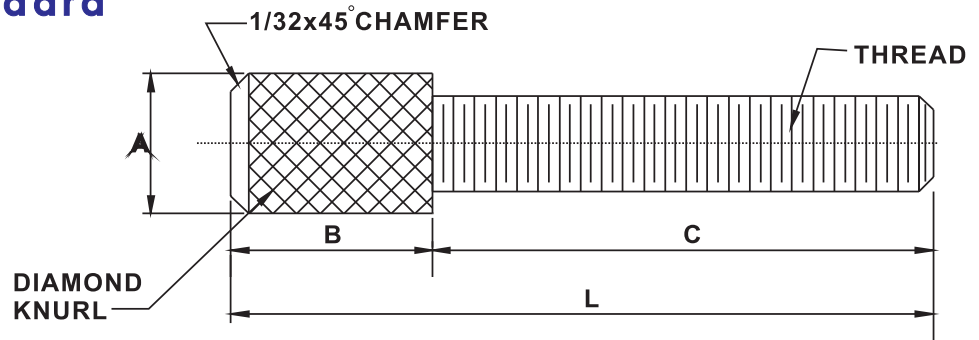
Part No.	Thread Size	A	B	C	L
		+ .020 - .000	+ .015 - .015	+ .010 - .010	+ .015 - .015
PTS-44001	4-40	5/16	3/16	5/16	1/2
PTS-44002	4-40	5/16	3/16	3/8	9/16
PTS-44003	4-40	5/16	3/16	7/16	5/8
PTS-44004	4-40	5/16	3/16	1/2	11/16
PTS-63201	6-32	5/16	3/16	5/16	1/2
PTS-63202	6-32	5/16	3/16	3/8	9/16
PTS-63203	6-32	5/16	3/16	7/16	5/8
PTS-63204	6-32	5/16	3/16	1/2	11/16
PTS-83201	8-32	3/8	3/16	3/8	9/16
PTS-83202	8-32	3/8	3/16	7/16	5/8
PTS-83203	8-32	3/8	3/16	1/2	11/16
PTS-83204	8-32	3/8	3/16	9/16	3/4
PTS-83205	8-32	3/8	3/16	5/8	13/16
PTS-103201	10-32	7/16	3/16	3/8	9/16
PTS-103202	10-32	7/16	3/16	7/16	5/8
PTS-103203	10-32	7/16	3/16	1/2	11/16
PTS-103204	10-32	7/16	3/16	9/16	3/4
PTS-103205	10-32	7/16	3/16	5/8	13/16
PTS-142001	1/4-20	1/2	1/4	1/2	3/4
PTS-142002	1/4-20	1/2	1/4	9/16	13/16
PTS-142003	1/4-20	1/2	1/4	5/8	7/8
PTS-142004	1/4-20	1/2	1/4	11/16	15/16
PTS-142005	1/4-20	1/2	1/4	3/4	1

Custom modified products are available.

TEL:886.4.7369788 FAX:886.4.22569335 <http://www.etm-co.com>

PUSH TYPE THUMB SCREWS

American Standard



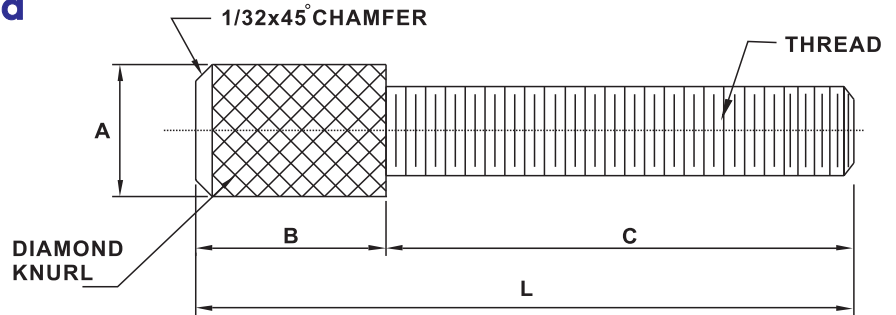
Part No.	Thread Size	A	B	C	L
		+ .020 - .000	+ .015 - .015	+ .010 - .010	+ .015 - .015
PTTS-63201	6-32	3/16	3/8	5/8	1
PTTS-63202	6-32	3/16	3/8	3/4	1-1/8
PTTS-63203	6-32	3/16	3/8	7/8	1-1/4
PTTS-63204	6-32	3/16	3/8	1	1-3/8
PTTS-63205	6-32	3/16	3/8	1-1/8	1-1/2
PTTS-63206	6-32	3/16	3/8	1-1/4	1-5/8
PTTS-63207	6-32	3/16	3/8	1-3/8	1-3/4
PTTS-63208	6-32	3/16	3/8	1-1/2	1-7/8
PTTS-63209	6-32	3/16	3/8	1-5/8	2
PTTS-63210	6-32	3/16	3/8	1-3/4	2-1/8
PTTS-63211	6-32	3/16	3/8	1-7/8	2-1/4
PTTS-63212	6-32	3/16	3/8	2	2-3/8
PTTS-83201	8-32	3/16	3/8	5/8	1
PTTS-83202	8-32	3/16	3/8	3/4	1-1/8
PTTS-83203	8-32	3/16	3/8	7/8	1-1/4
PTTS-83204	8-32	3/16	3/8	1	1-3/8
PTTS-83205	8-32	3/16	3/8	1-1/8	1-1/2
PTTS-83206	8-32	3/16	3/8	1-1/4	1-5/8
PTTS-83207	8-32	3/16	3/8	1-3/8	1-3/4
PTTS-83208	8-32	3/16	3/8	1-1/2	1-7/8
PTTS-83209	8-32	3/16	3/8	1-5/8	2
PTTS-83210	8-32	3/16	3/8	1-3/4	2-1/8
PTTS-83211	8-32	3/16	3/8	1-7/8	2-1/4
PTTS-83212	8-32	3/16	3/8	2	2-3/8
PTTS-102401	10-24	1/4	1/2	5/8	1-1/8
PTTS-102402	10-24	1/4	1/2	3/4	1-1/4
PTTS-102403	10-24	1/4	1/2	7/8	1-3/8
PTTS-102404	10-24	1/4	1/2	1	1-1/2
PTTS-102405	10-24	1/4	1/2	1-1/8	1-5/8
PTTS-102406	10-24	1/4	1/2	1-1/4	1-3/4
PTTS-102407	10-24	1/4	1/2	1-3/8	1-7/8
PTTS-102408	10-24	1/4	1/2	1-1/2	2
PTTS-102409	10-24	1/4	1/2	1-5/8	2-1/8
PTTS-102410	10-24	1/4	1/2	1-3/4	2-1/4
PTTS-102411	10-24	1/4	1/2	1-7/8	2-3/8
PTTS-102412	10-24	1/4	1/2	2	2-1/2

Custom modified products are available.

TEL:886.4.7369788 FAX:886.4.22569335 <http://www.etm-co.com>

PUSH TYPE THUMB SCREWS

American Standard



Part No.	Thread Size	A	B	C	L
		+ .020 - .000	+ .015 - .015	+ .010 - .010	+ .015 - .015
PTTS-103201	10-32	1/4	1/2	5/8	1-1/8
PTTS-103202	10-32	1/4	1/2	3/4	1-1/4
PTTS-103203	10-32	1/4	1/2	7/8	1-3/8
PTTS-103204	10-32	1/4	1/2	1	1-1/2
PTTS-103205	10-32	1/4	1/2	1-1/8	1-5/8
PTTS-103206	10-32	1/4	1/2	1-1/4	1-3/4
PTTS-103207	10-32	1/4	1/2	1-3/8	1-7/8
PTTS-103208	10-32	1/4	1/2	1-1/2	2
PTTS-103209	10-32	1/4	1/2	1-5/8	2-1/8
PTTS-103210	10-32	1/4	1/2	1-3/4	2-1/4
PTTS-103211	10-32	1/4	1/2	1-7/8	2-3/8
PTTS-103212	10-32	1/4	1/2	2	2-1/2
PTTS-142001	1/4-20	5/16	1/2	5/8	1-1/8
PTTS-142002	1/4-20	5/16	1/2	3/4	1-1/4
PTTS-142003	1/4-20	5/16	1/2	7/8	1-3/8
PTTS-142004	1/4-20	5/16	1/2	1	1-1/2
PTTS-142005	1/4-20	5/16	1/2	1-1/8	1-5/8
PTTS-142006	1/4-20	5/16	1/2	1-1/4	1-3/4
PTTS-142007	1/4-20	5/16	1/2	1-3/8	1-7/8
PTTS-142008	1/4-20	5/16	1/2	1-1/2	2
PTTS-142009	1/4-20	5/16	1/2	1-5/8	2-1/8
PTTS-142010	1/4-20	5/16	1/2	1-3/4	2-1/4
PTTS-142011	1/4-20	5/16	1/2	1-7/8	2-3/8
PTTS-142012	1/4-20	5/16	1/2	2	2-1/2

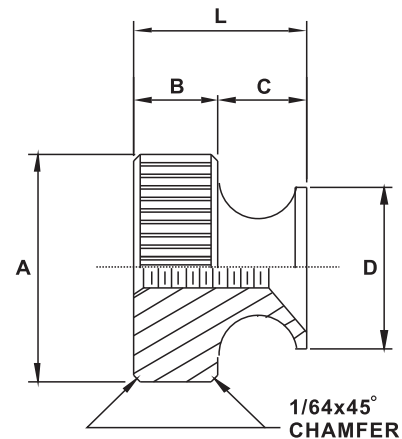
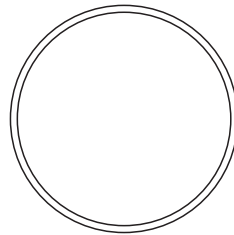
Custom modified products are available.

TEL:886.4.7369788 FAX:886.4.22569335 <http://www.etm-co.com>

ROUND THUMB NUTS

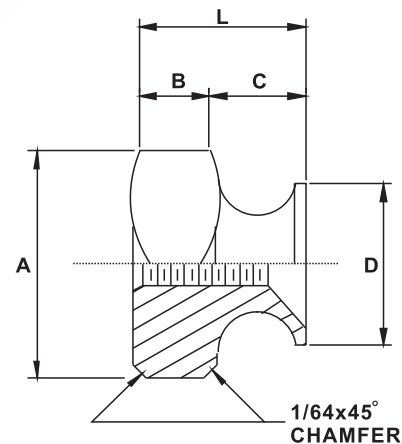
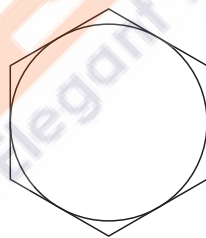
HEX THUMB NUTS

American Standard



ROUND

Part No.	Thread Size	A	B	C	D	L
		+ .020 - .000	+ .015 - .015	+ .010 - .010	+ .030 - .030	+ .010 - .010
TN-R-25601	2-56	1/4	1/8	1/8	3/16	1/4
TN-R-44001	4-40	5/16	1/8	1/8	1/4	1/4
TN-R-63201	6-32	3/8	1/8	5/32	11/32	9/32
TN-R-83201	8-32	7/16	1/8	5/32	3/8	9/32
TN-R-102401	10-24	1/2	5/32	3/16	13/32	11/32
TN-R-103201	10-32	1/2	5/32	3/16	13/32	11/32
TN-R-142001	1/4-20	9/16	5/32	7/32	15/32	3/8
TN-R-5161801	5/16-18	5/8	3/16	7/32	17/32	13/32
TN-R-381601	3/8-16	3/4	7/32	1/4	5/8	15/32



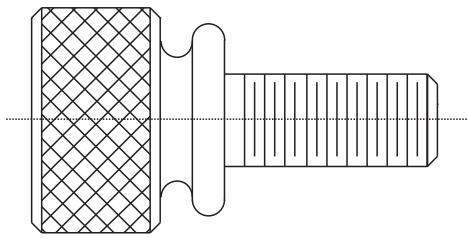
Hex

Part No.	Thread Size	A	B	C	D	L
		Hex	+ .015 - .015	+ .010 - .010	+ .030 - .030	+ .015 - .015
TN-H-25601	2-56	1/4	1/8	1/8	3/16	1/4
TN-H-44001	4-40	5/16	1/8	1/8	1/4	1/4
TN-H-63201	6-32	3/8	1/8	5/32	11/32	9/32
TN-H-83201	8-32	7/16	1/8	5/32	3/8	9/32
TN-H-102401	10-24	1/2	5/32	3/16	13/32	11/32
TN-H-103201	10-32	1/2	5/32	3/16	13/32	11/32
TN-H-142001	1/4-20	9/16	5/32	7/32	15/32	3/8
TN-H-5161801	5/16-18	5/8	3/16	7/32	17/32	13/32
TN-H-381601	3/8-16	3/4	7/32	1/4	5/8	15/32

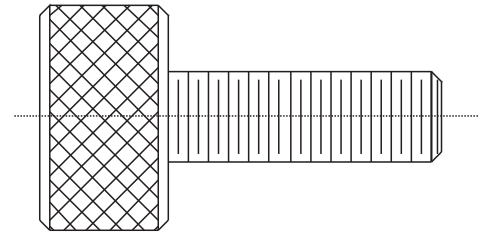
Custom modified products are available.

TEL:886.4.7369788 FAX:886.4.22569335 <http://www.etm-co.com>

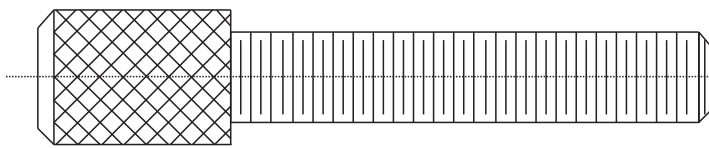
WASHER FACE THUMB SCREWS(WFTS)



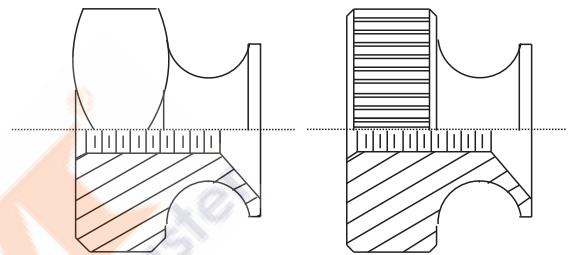
PLAIN THUMB SCREWS (PTS)



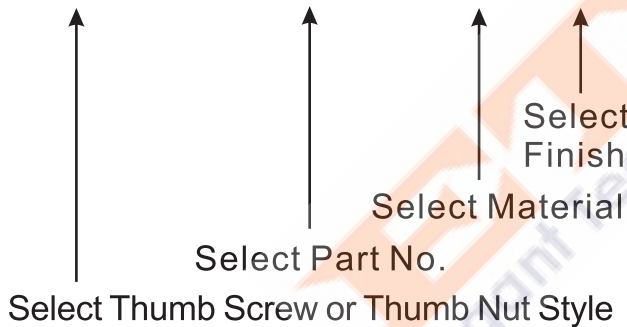
PUSH TYPE THUMB SCREWS (PTTS)



THUMB NUTS(TN)



WFTS - 44001 - B - S1



How to order Thumb Screw or Thumb Nut

Thumb Screw & Thumb Nut	Code
Washer Face Thumb Svrews	WFTS
Plain Thumb Screws	PTS
Push Type Thumb Screws	PTTS
Thumb Nuts (Round)	TN-R
Thumb Nuts (Hex)	TN-H

Material Description	Code
Aluminum	A
Brass	B
Carbon Steel	S
300 Series Stainless Steel	SS

Finish Description	Code
Nickel Plated	S1
Chrome Plated	S2
Satin Chrome	S6
Zinc Plated	S10
Zinc Yellow Chromate	S11
Black Oxide	S22
Black Zinc	S23
Tin Plated	S24
No Finish	S14
Passivate	SB5
Anodize Clear	SA1
Glossy Anodize Clear	SA2
Anodize Black	SA3
Glossy Anodize Black	SA4
Clear Iridite	SA5



Our name says it all, simply the widest selection of quality products.

We are specialize in cosmetic products and precision electronic hardware.

Whether you are in the Aerospace, Automotive, Trucks, Railway, Enclosures, Enterprise Hardware, Consumer Electronics, Medical, Industrial Equipment, Marine, Instrumentation, Telecommunication, Recreational Vehicles, or other high-tech industry, our expert sales staff can assist you.

This book is a comprehensive reference of engineered human touch points for your customer oriented design solution. We believe that by providing you with a broad range of standard solutions. We can enhance your overall design, quality, performance, look and feel of your end product.



We have more and more products do not be listed in this catalogue, like ours Stamping Parts, Compression Latch, Draw Latch, Pulls, Self-Clinching parts ...etc.

To contact ETM directly for customer service and technical support, or contact us to found your local Sales Representative.

No.55, Ju Dong Rd., Homei Chang Hwa 50856, Taiwan, R.O.C.

TEL:886.4.7369788 FAX:886.4.22569335

<http://www.etm-co.com> E-mail: info@etm-co.com

TEL:886.4.7369788 FAX:886.4.22569335 <http://www.etm-co.com>



Sales

Headquarters ETM Inc.

No.55, Ju Dong Rd.,Homei Chang
Hwa 50856, Taiwan, R.O.C.
TEL:886.4.7369788
FAX:886.4.22569335
<http://www.etm-co.com>

USA UNICORP Inc.

291 Cleveland Street,
Orange, NJ 07050
TEL:+1.973.674.1700
FAX:+1.973.674.3803
<http://www.unicorpinc.com>